

Drawing



Tools for Chefs

Hendi B.V.
Steenoven 21
3911 TX Rhenen
The Netherlands

Batch #

000000 and up

Appliance part#

209424

Description

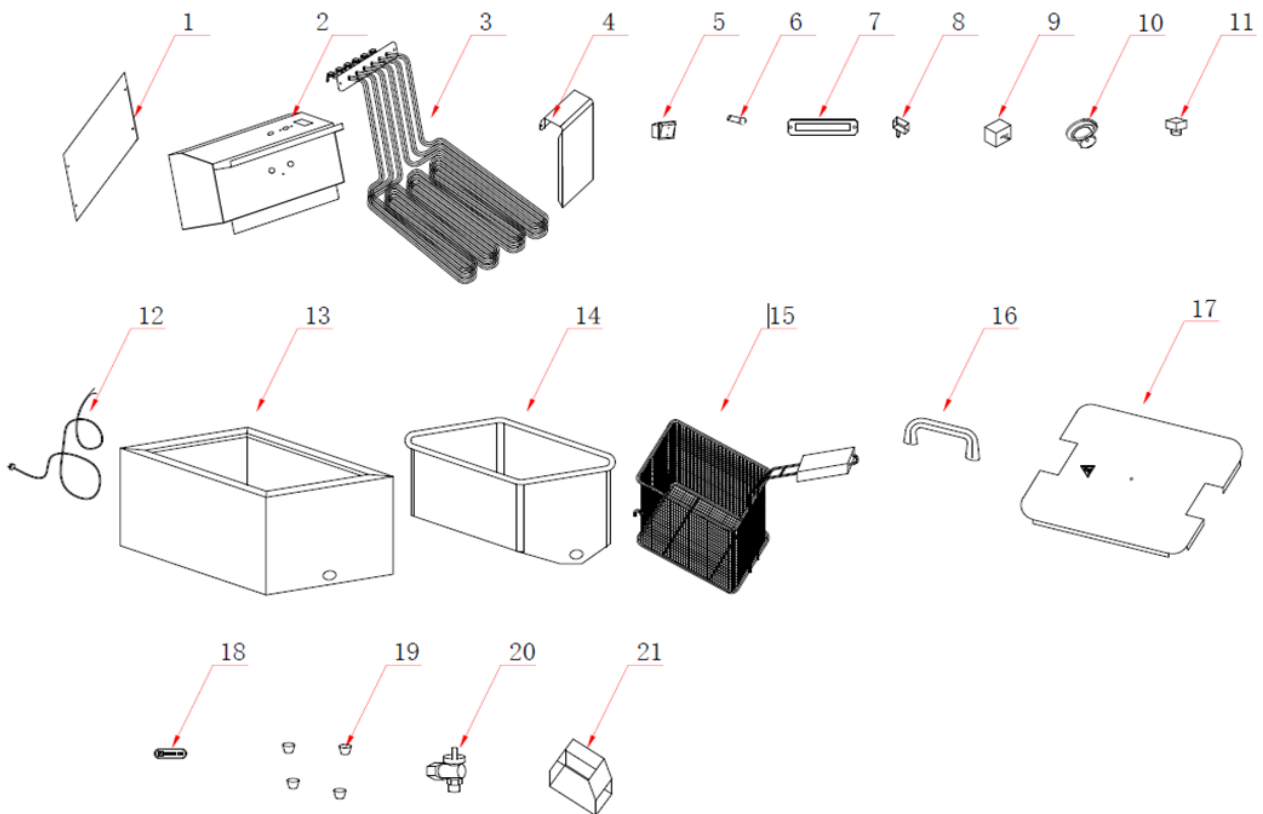
Deep Fryer 10L 400V

Date 01-11-2021


Revision #

1.0

Revision First Bill of Materials (BOM)



Bill of materials (BOM)

 <b style="font-size: 24px; margin-left: 10px;">HENDI <small style="color: green; margin-left: 10px;">Tools for Chefs</small> Hendi B.V. Steenoven 21 3911 TX Rhenen The Netherlands	Batch #	Appliance part#
	000000 and up	209424
	Description	
	Deep Fryer 10L 400V	


Date	01-11-2021	Revision #	1.0
Revision	First Bill of Materials (BOM)		

Item	Description	Part#	Quantity	Remark	Picture
1	Back cover	n/a	1		
2	Fryer head	n/a	1		
3	Heating element 6600W	961230	1		
4	Bracket	n/a	1		
5	Switch	205426	1		
6	Indicator light (orange)	930533	1		
7	Insulation plate	n/a	1		
8	Microswitch	930571	1		
9	Thermostat	930557	1		
10	Knob thermostat	934852	1		
11	Hi-limiter	930595	1		
12	Power cord	n/a	1	Obtain locally	
13	Frame	n/a	1		
14	Oil basin	n/a	1		
15	Fryer basket	961247	1		
16	Handle for lid	nss	1	Available as 961254	
17	Lid complete	961254	1		
18	Logo plaque Hendi	955963	1		
19	Feet	934876	4		
20	Faucet	251515	1		
21	Relais	961261	1		

n/a -> not available

nss -> not sold separately

Circuit diagram

 <b style="font-size: 24px; margin-left: 10px;">HENDI Tools for Chefs Hendi B.V. Steenoven 21 3911 TX Rhenen The Netherlands	Batch #	Appliance part#
	000000 and up	209424
	Description	
	Deep Fryer 10L 400V	

Date	01-11-2021	Revision #	1.0
Revision	First Bill of Materials (BOM)		

